

4

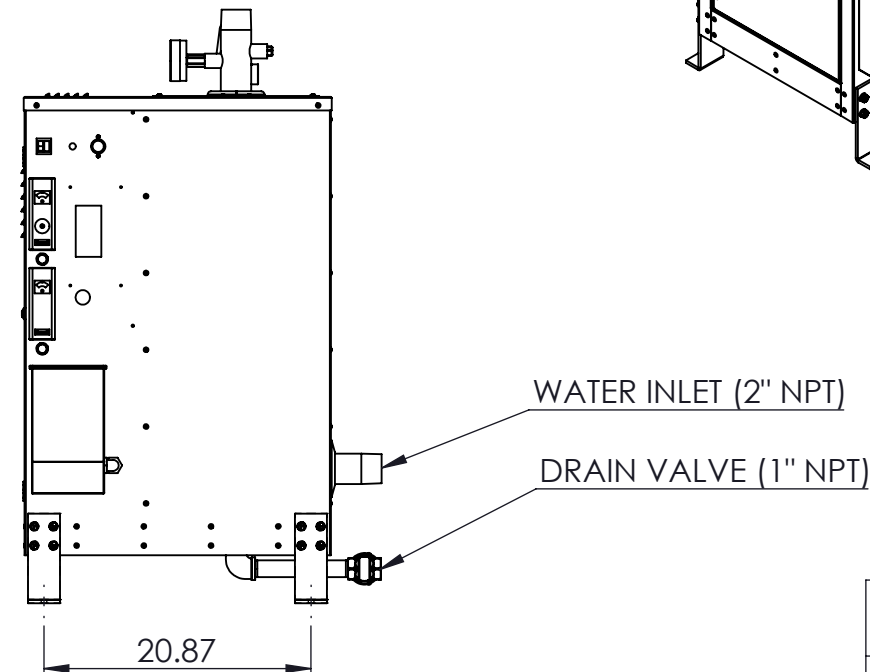
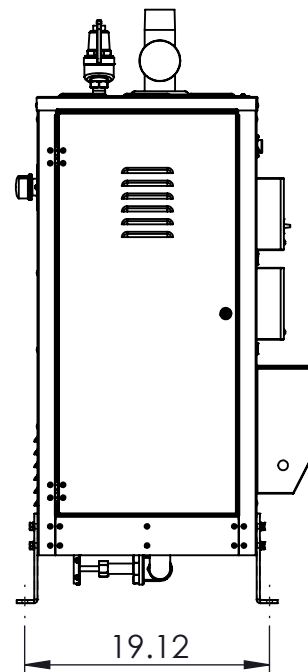
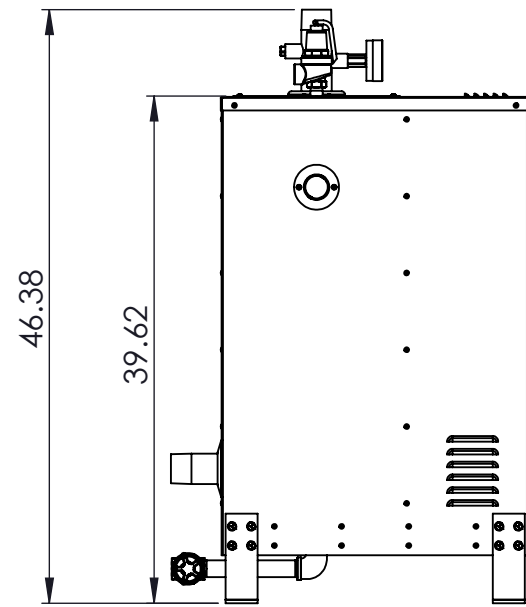
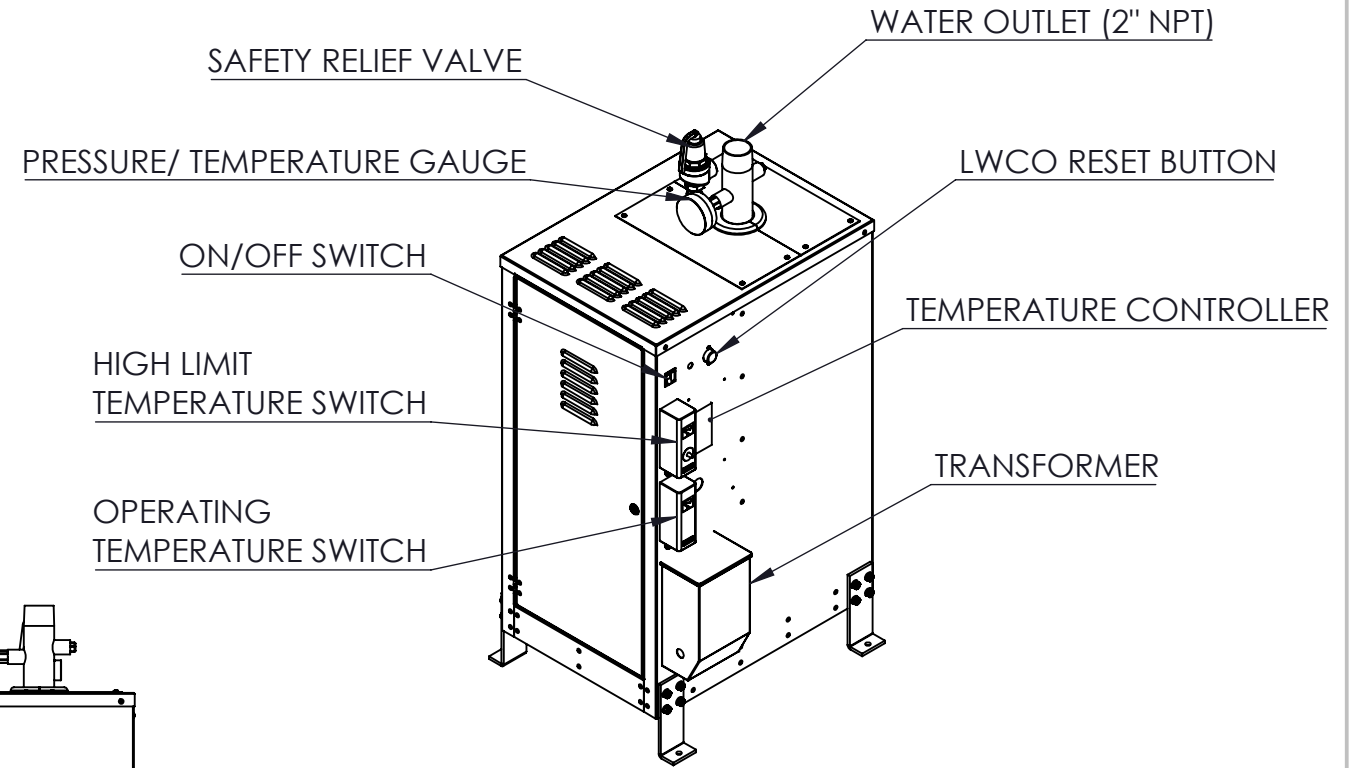
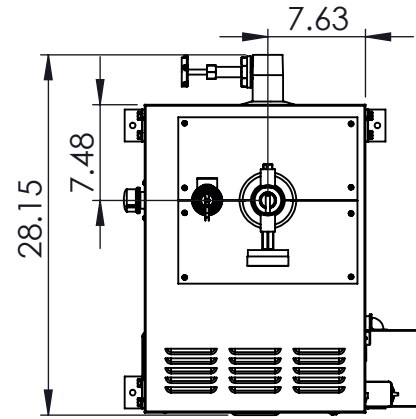
3

2

1

NOTES:

- 1. MATERIALS OF CONSTRUCTION
  - 1. VESSEL AND PIPING: CARBON STEEL
  - 2. JACKET: STAINLESS STEEL
- 2. PRESSURE VESSEL BUILT IN ACCORDANCE WITH ASME SECTION IV AND CARRIES AN "H" STAMP
- 3. MAXIMUM ALLOWABLE WORKING PRESSURE UP TO 150PSI
- 4. BOILER IS UL LISTED TO STANDARD 834
- 5. FOR EW12G - EW48G FOR VOLTAGES 208, 240, & 480
- 6. BACNET IP AND MSTP, MODBUS RS485, AND 4-20 mA REMOTE SET POINT STANDARD
- 7. REFER TO THE INSTALLATION AND OPERATION MANUAL FOR MORE INFORMATION



UNITS	NUMBER OF STAGES
EW12G 12kW	1
EW24G 24kW	1
EW36G 36kW	2
EW48G 48kW	2

DIMENSIONS ARE SHOWN IN INCHES (CENTIMETERS)  
 TOLERANCES ARE AS FOLLOWS UNLESS OTHERWISE SPECIFIED  
 X.XX X.XXX X.XXXX ANGULAR FINISH  
 ±.12 ±.031 ±.0156 ±1.0° 250  
 REMOVE AND DEBURR SHARP EDGES AND CORNERS  
 ALL DIMENSIONS ARE AFTER FINISH OR PLATING  
 REFERENCE DIMENSIONS ARE SHOWN IN PARENTHESES ( )  
 CRITICAL DIMENSIONS ARE SHOWN IN

THIS DRAWING AND/OR SPECIFICATIONS ARE THE PROPERTY OF DIVERSIFIED HEAT TRANSFER INC. THIS CONFIDENTIAL AND PROPRIETARY INFORMATION SHALL NOT BE USED, COPIED OR REPRODUCED IN ANY MEANS AS THE BASIS FOR MANUFACTURE OR SALE OF APPARATUS WITHOUT WRITTEN AUTHORIZATION FROM OWNER.

**SUSSMAN**  
 ELECTRIC BOILERS  
 439 MAIN RD. TOWACO NJ 07082  
 PHONE: (800) 221-1522 FAX: (718) 386-7809

TITLE  
 EW12G-EW48G ELECTRIC WATER  
 BOILER, 208/3, 240/3, 480/3

A/1		INITIAL DRAWING	SC	4/25/24
REV	ECN	REVISION DESCRIPTION	NAME	DATE

THIRD ANGLE PROJECTION	DWG. SCALE	MATERIAL SPEC:	NAME	DATE	DWG#	REV
	1:20		S	04/29/2024	EW12G-EW48G	A/1
			CHECKED BY		SHEET 1 OF 2	

4

3

2

1

B

B

A

A

4

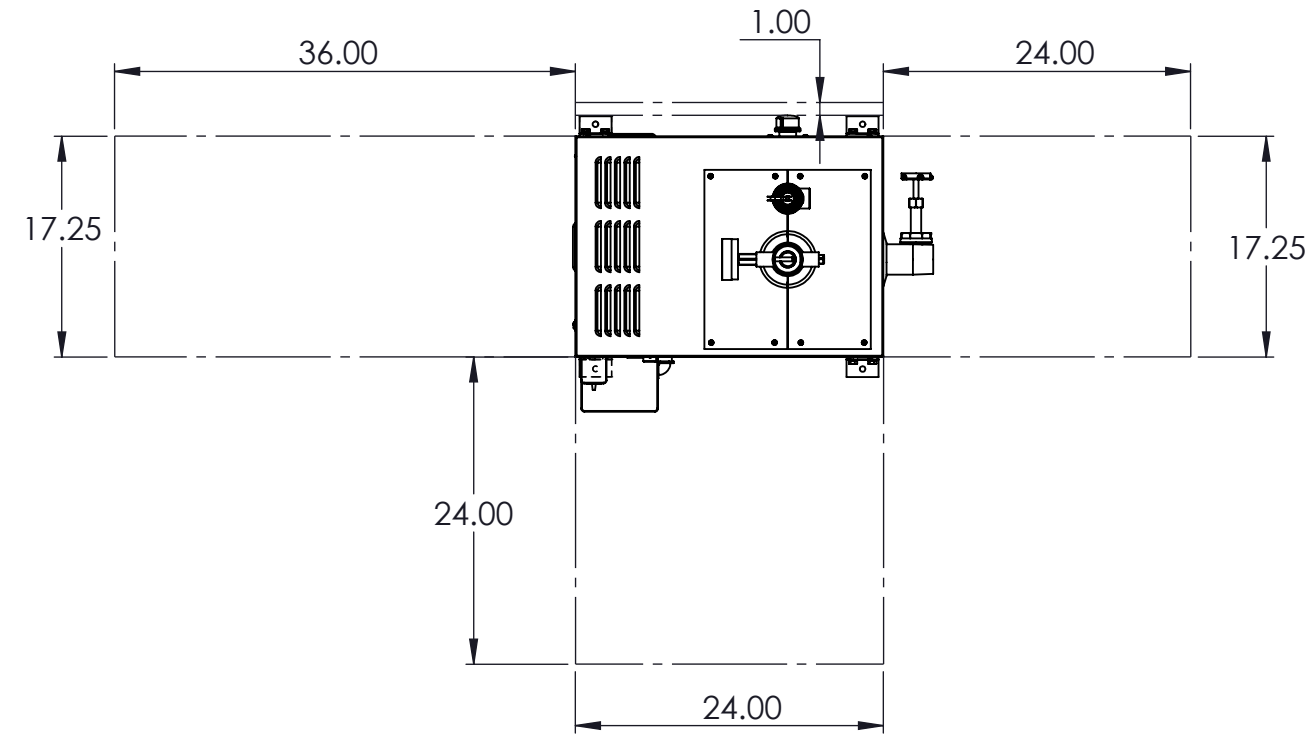
3

2

1

NOTES:

- 1. SERVICE CLEARANCES TO BE IN CONFORMANCE TO NEC REQUIREMENTS. ALLOW A MINIMUM OF 36" CLEARANCE IN FRONT OF DOORS FOR SERVICING OF HEATING ELEMENTS. RECOMMENDED 24" CLEARANCE FOR OTHER SIDES OF BOILER FOR SERVICING.
- 2. MINIMUM 1" CLEARANCE TO ALL COMBUSTIBLE MATERIALS



DIMENSIONS ARE SHOWN IN INCHES (CENTIMETERS)  
 TOLERANCES ARE AS FOLLOWS UNLESS OTHERWISE SPECIFIED  
 X.XX X.XXX X.XXXX ANGULAR FINISH  
 ±.12 ±.031 ±.0156 ±1.0° 250  
 REMOVE AND DEBURR SHARP EDGES AND CORNERS  
 ALL DIMENSIONS ARE AFTER FINISH OR PLATING  
 REFERENCE DIMENSIONS ARE SHOWN IN PARENTHESES ( )  
 CRITICAL DIMENSIONS ARE SHOWN IN

THIS DRAWING AND/OR SPECIFICATIONS ARE THE PROPERTY OF DIVERSIFIED HEAT TRANSFER INC. THIS CONFIDENTIAL AND PROPRIETARY INFORMATION SHALL NOT BE USED, COPIED OR REPRODUCED IN ANY MEANS AS THE BASIS FOR MANUFACTURE OR SALE OF APPARATUS WITHOUT WRITTEN AUTHORIZATION FROM OWNER.



439 MAIN RD. TOWACO NJ 07082  
 PHONE: (800) 221-1522 FAX: (718) 386-7809

TITLE  
 EW12G-EW48G ELECTRIC WATER  
 BOILER, 208/3, 240/3, 480/3

A/1		INITIAL DRAWING	SC	4/25/24
REV	ECN	REVISION DESCRIPTION	NAME	DATE

THIRD ANGLE PROJECTION	DWG. SCALE	MATERIAL SPEC:	NAME	DATE	DWG#	REV
	1:20		S	04/29/2024	EW12G-EW48G	A/1
			CHECKED BY		SHEET 2 OF 2	

4

3

2

1