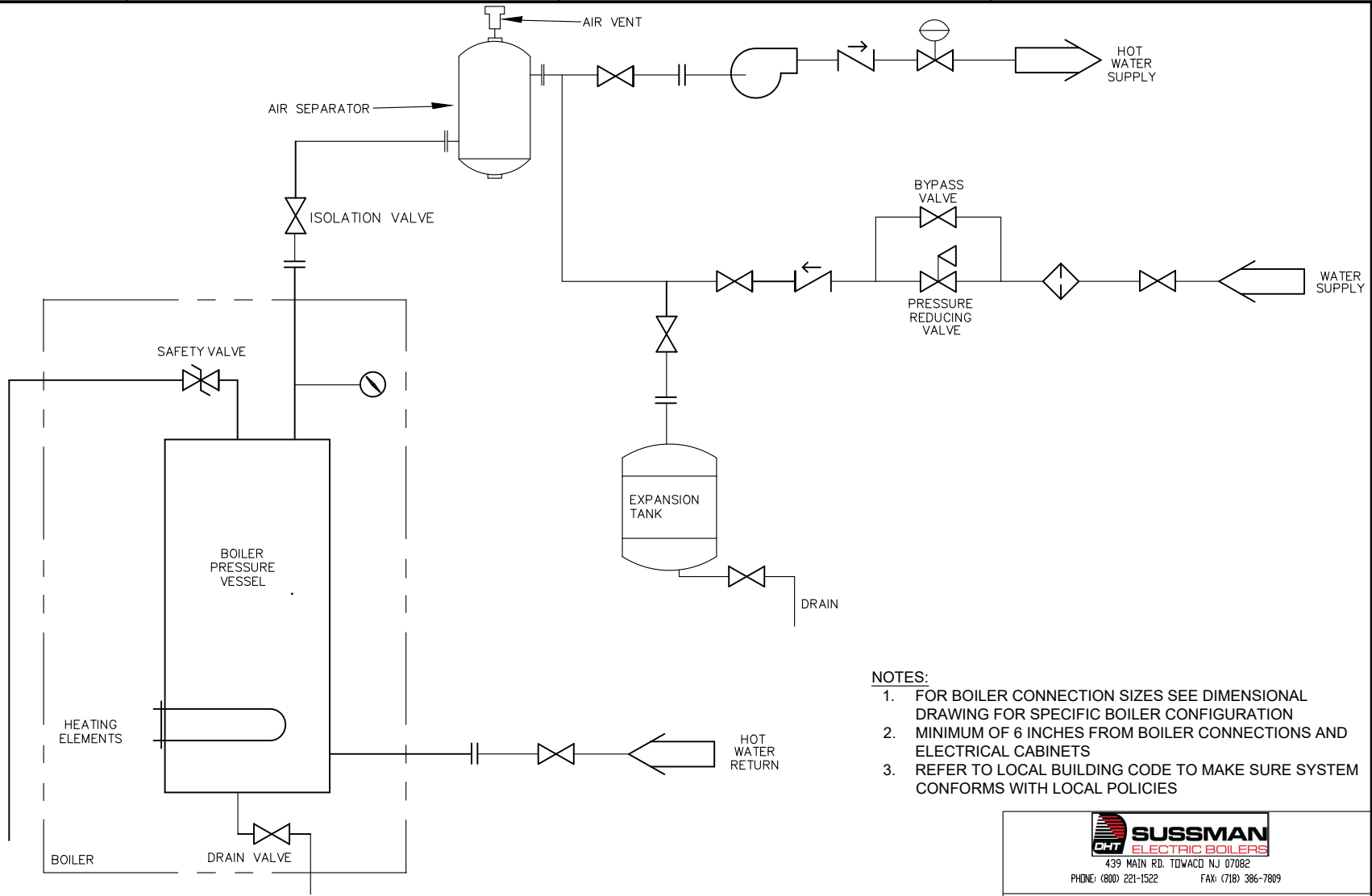
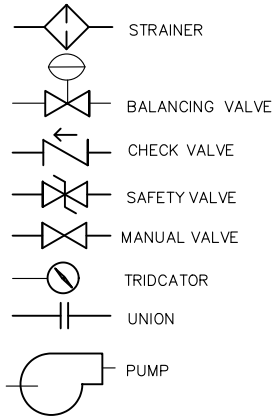


4


3

2

1



- NOTES:**
1. FOR BOILER CONNECTION SIZES SEE DIMENSIONAL DRAWING FOR SPECIFIC BOILER CONFIGURATION
 2. MINIMUM OF 6 INCHES FROM BOILER CONNECTIONS AND ELECTRICAL CABINETS
 3. REFER TO LOCAL BUILDING CODE TO MAKE SURE SYSTEM CONFORMS WITH LOCAL POLICIES



SUSSMAN
ELECTRIC BOILERS

439 MAIN RD. TOWACD NJ 07082
PHONE: (800) 221-1522 FAX: (718) 386-7809

TITLE				
P&ID - EW HOT WATER BOILER PRIMARY SINGLE UNIT				
DRAWN BY	NAME	DATE	DWG#	REV
CHECKED BY	SC	5/17/24	EW-PnID-PRI	A/1
SHEET 1 OF 1				

A/1		PRINT REVIEW	SC	5/17/24
REV	ECN	REVISION DESCRIPTION	NAME	DATE

4

3

2

1